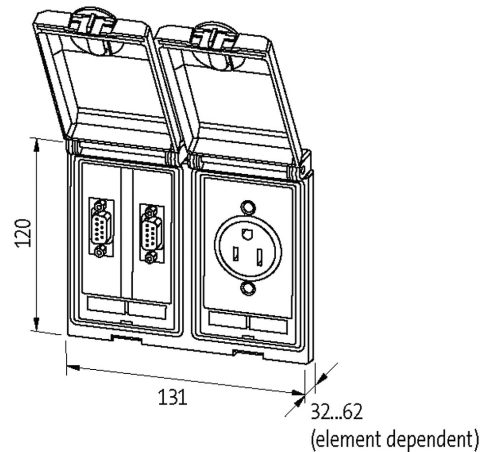


**Modlink MSDD-set: Frame 4000-68223-0000000,**  
insert 4000-68000-0010000 + 4000-68000-1440000

**Illustration**





Product may differ from Image

**Frame**

suitable for mounting with wall thickness	1...5 mm
Protection	IP65
Housing	Frame: zinc die-casting, with surface finishing, Lid: plastic, PC transparent
Temperature range	-10...+60 °C (storage temperature -25...+60 °C)

**SUB-D9**

Operating voltage	48 V AC/DC
Operating voltage (UL Rating)	max. 30 V AC/42.4 V DC
Operating current	3 A
Operating current (UL Rating)	max. 175 mA
No. of poles	9-pole
Connection front side	SUB-D (female)
Connection rear side	SUB-D (female)
Locking of ports	UNC 4...40 bolt

**RJ45**

Operating voltage (UL Rating)	max. 30 V AC/42.4 V DC
Operating current (UL Rating)	max. 175 mA
Connection front side	RJ45
Connection rear side	RJ45
Locking of ports	Snap In
Specification	CAT5e, Class D, 100 MHz, (EN 50173-1)

**Shielding plate**

Connection	Threaded hole M4
Tightening torque	0.9 Nm ±0.1

**USB**

Operating voltage	48 V AC/DC
-------------------	------------

Operating voltage (UL Rating)	max. 30 V AC/42.4 V DC
-------------------------------	------------------------

Operating current	1.5 A
-------------------	-------

Locking of ports	Snap In
------------------	---------

Specification	USB: 3.0 (max. 5 Gbit/s)
---------------	--------------------------

**Germany (VDE)**

Operating voltage	250 V AC
-------------------	----------

Operating current	16 A
-------------------	------

No. of poles	2 + PE
--------------	--------

Connection	Screw terminals: max. 2× 6 mm <sup>2</sup> (AWG 10)
------------	---

LED display	yellow
-------------	--------

**Commercial data**

country of origin	CZ
-------------------	----

customs tariff number	85389099
-----------------------	----------

EAN	4048879033190
-----	---------------

eClass	27189217
--------	----------

Packaging unit	1
----------------	---